

LB75-2

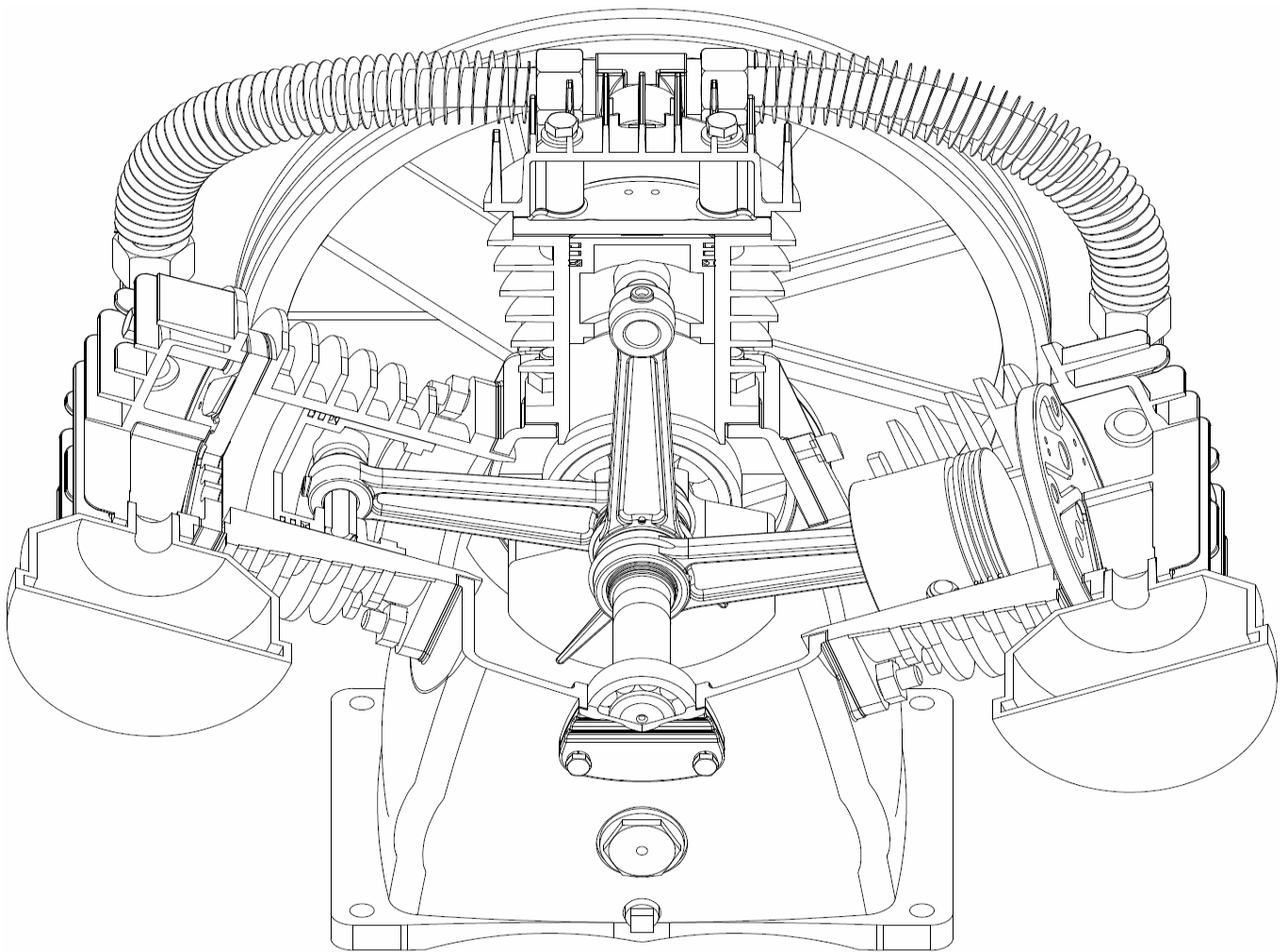
Belt Driven Cast-Iron Single Stage Pump



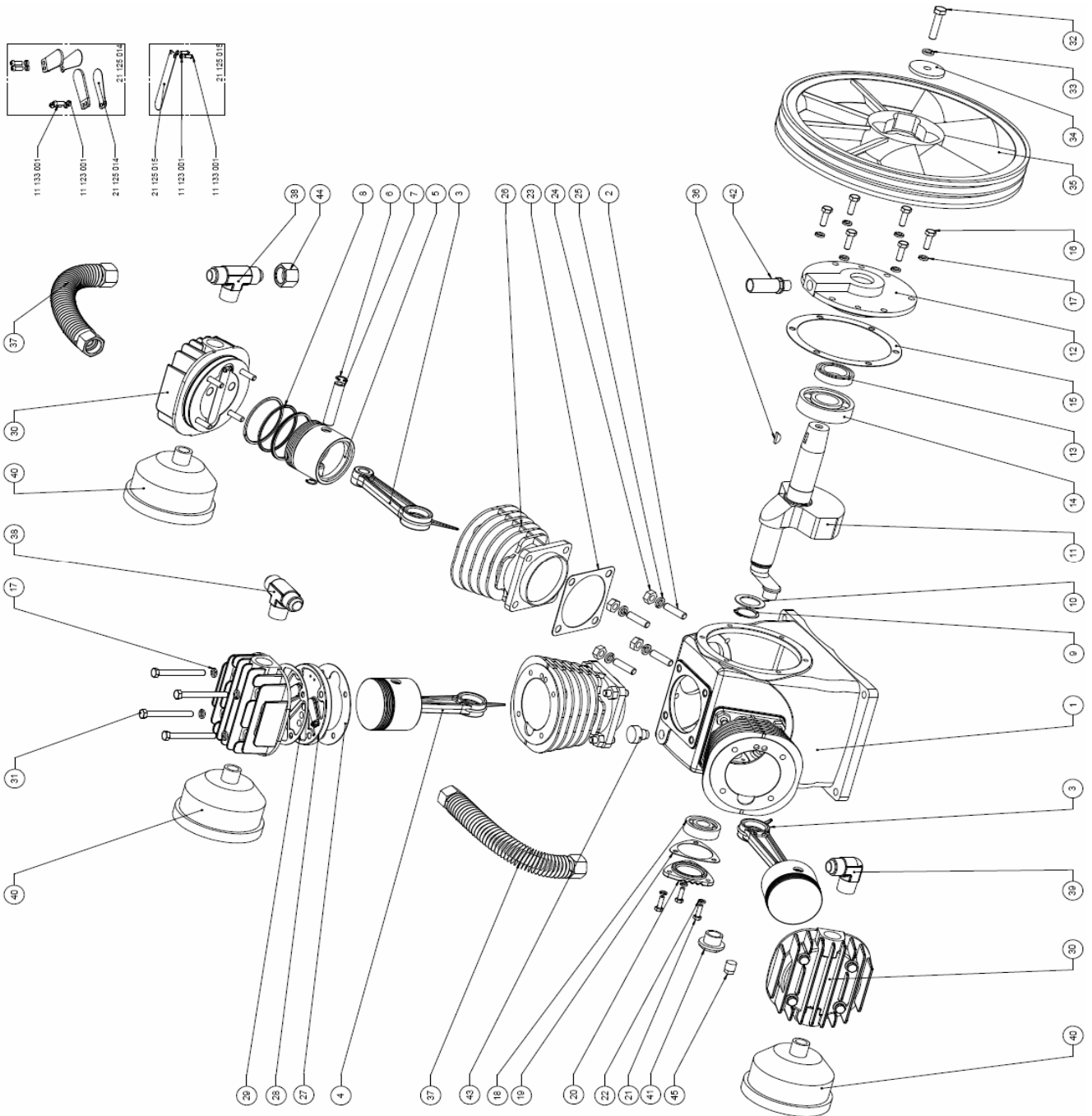
Technical data

Description	Data		Units
Motor	7,5 / 5,5	10 / 7,5	HP / kW
Speed of the pump	800	1200	Rpm
Motor Pulley Ø	105	158	mm
Number of Cylinder	3		-
Cylinder Diameter	80		mm
Cylinder Stroke	60		mm
Theoretical Air Inlet	723	1085	L/min
	43,4	65,1	m ³ .h ⁻¹
	25,5	38,3	CFM
Working Pressure	8		Bar
Maximum Pressure	10		Bar
Net Weight	45		Kg
Outside Dimensions	575 X 410 X 485		mm x mm x mm

Partial Cut



Explode View



Bill Of Material

Item n°	Qty	Reference	Nom	Name	Description
1	1	21 111 021	Carter	Crankcase	LT55-3 / LB75-2
2	12	11 141 003	Goujon	Stud	M10-38
3	2	21 132 007	Bielle	Rod	Ø 15 - Ø 32 - 137 (Side)
4	1	21 132 008	Bielle	Rod	Ø 15 - Ø 32 - 137 (Center)
5	3	21 141 004	Piston	Piston	Ø 80
6	6	21 144 003	Circlip Interieur	Inside Circlip	15 x 1
7	3	21 143 004	Axe de Piston	Piston Pin	Ø 15 - 70
8	3	21145004	Ensemble Segment	Piston Ring Set	Ø 80 (3 Pieces)
9	1	21 146 004	Circlip Exterieur	Outside Circlip	Ø 30 x 1.2
10	1	11 121 009	Rondelle	Washer	Ø 30 - Ø 44 - 1.5
11	1	21 131 007	Vilebrequin	Crankshaft	LB75
12	1	21 113 005	Flasque Arriere	Bearing Seat	LB50 - LB75
13	1	21 161 005	Joint à lèvre	Oil Seal	Type AS, 35 x 56 x 12
14	1	21 134 006	Roulement à Billes	Ball Bearing	6307
15	1	21 152 005	Joint	Gasket	Bearing Seat, LB50 - LB75, VALQUA 6500
16	6	11 131 003	Vis H	Screw H	M8-20, 8.8
17	18	11 123 003	Rondelle élastique	Spring Washer	W8
18	1	21 134 002	Roulement à Billes	Ball Bearing	6304
19	1	21 155 001	Joint	Gasket	Bearing Cover, LACME, VALQUA 6500
20	1	21 112 003	Flasque Avant	Bearing Cover	Thickness=4mm, LACME
21	3	11 131 001	Vis H	Screw H	M6-20
22	3	11 123 002	Rondelle élastique	Spring Washer	W6
23	3	21 153 003	Joint	Gasket	Ø80, Cylinder Bottom, VALQUA 6500
24	12	11 111 003	Ecrou H	Nut H	M10
25	12	11 123 004	Rondelle élastique	Spring Washer	W10
26	3	21 121 005	Cylindre	Cylinder	Ø 80, M8
27	3	21 151 005	Joint	Gasket	Ø 80 Cylinder Top, VALQUA 6500
28	3	21 124 004	Ensemble Plaque Clapet	Valve Plate Set	Ø 80, M8
29	3	21 154 003	Joint	Gasket	Ø 80, Cylinder Head, VALQUA 6500
30	3	21 123 004	Culasse	cylinder Head	Ø 80, M8, Aluminium
31	12	11 131 006	Vis H	Screw H	M8-80, 8.8
32	1	11 131 011	Vis H	Screw H	M10-45, left
33	1	11 124 002	Rondelle élastique	Spring Washer	W10 left
34	1	11 121 012	Rondelle	Washer	Ø 10 - Ø52 -5
35	1	21 212 004	Volant	Pulley	Ø 368, 2A, Cast Iron
36	1	21 136 001	Clavette Disque	CircleKey	Ø 5 - 19
37	2	21171004	Ensemble Radiateur	Cooler Set	Ø 19 x 260 + 2x11114001
38	2	21 174 004	Raccord 3 Voix	3 Ways Connection	R¾ - 2 x G¾, 180°
39	1	21 173 002	Raccord coudé	Elbow Connection	R¾ - G¾, 90°
40	3	21 175 003	Filtre à Air	Air Filter	Plastic, Round, with Cartridge (21175005)
41	1	21 164 004	Voyant de niveau d'huile	Oil Leveler	G¾, Aluminium, with gasket
42	1	21 166 001	Reniflard	Oil Breath Pipe	M16 x 1.5, Black, with gasket
43	1	21 167 002	Bouchon de remplissage	Oil Filling Plug	M16-3, with gasket
44	1	11 114 001	Ecrou De Sortie	Exhaust Nut	G¾/32 - Ø19.5 - l=21
45	1	21 169 003	Bouchon de vidange	Oil Draining Plug	Z3/8

General Dimension

