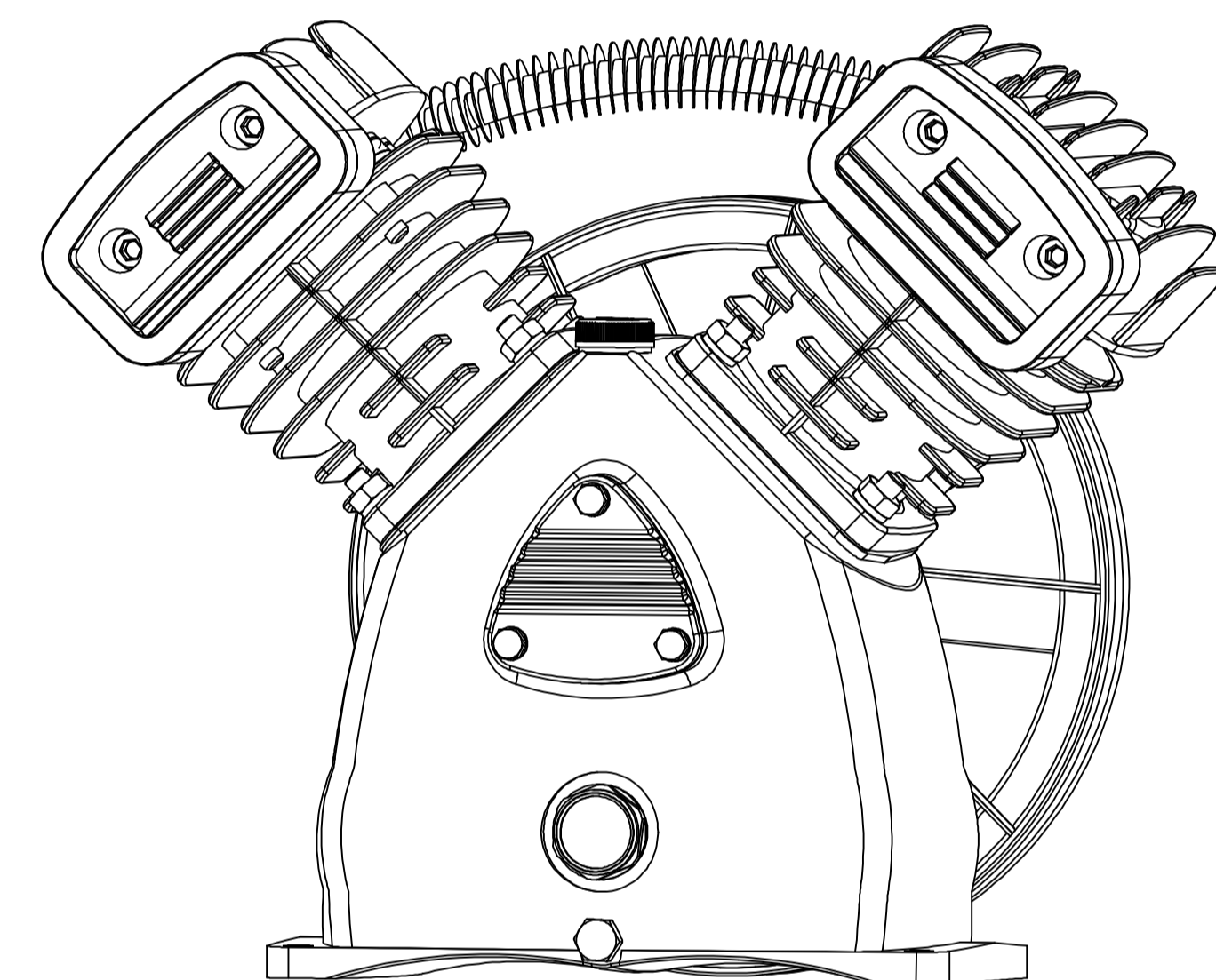
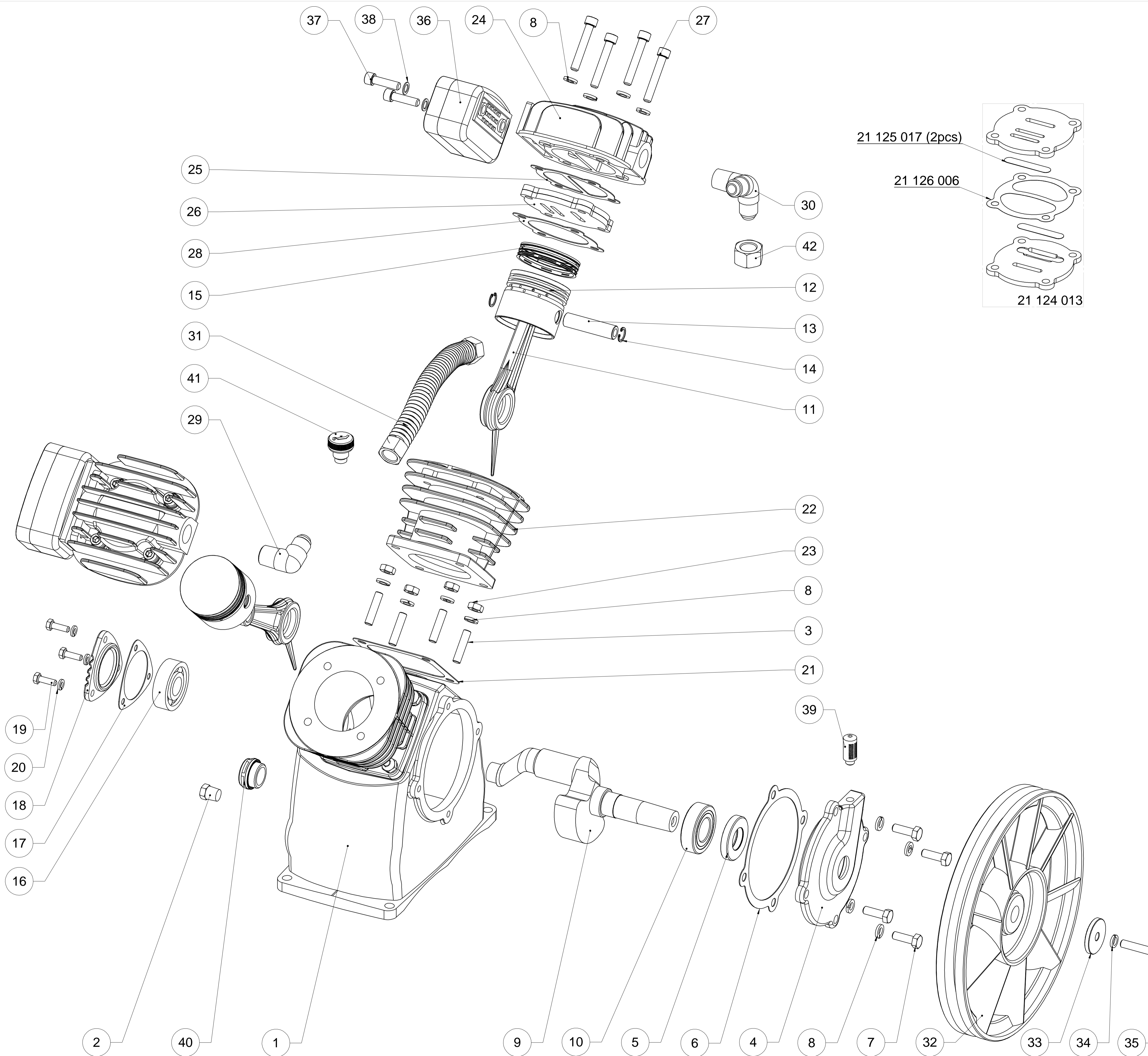


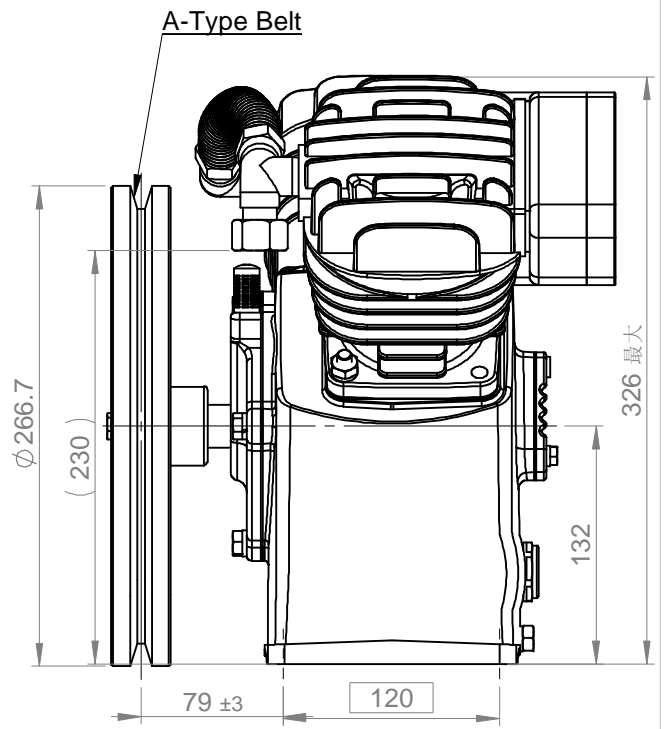
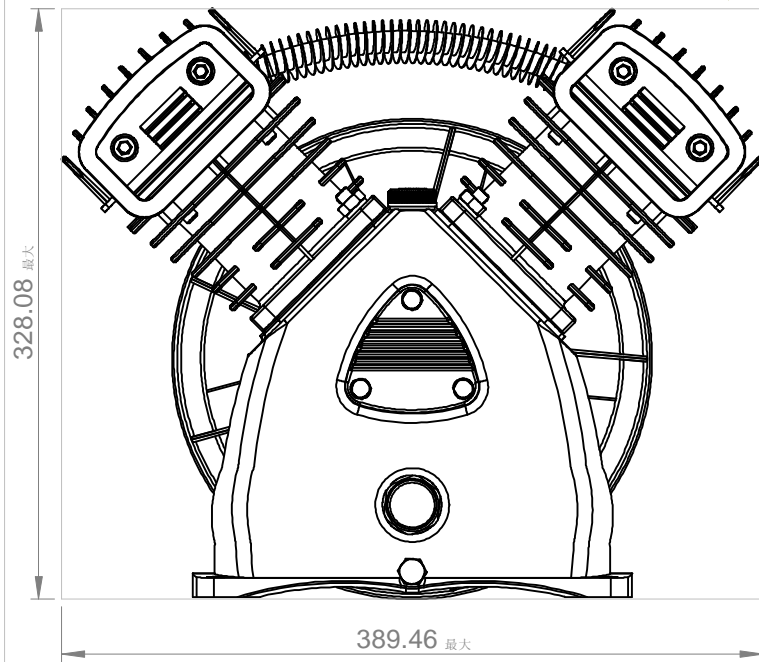
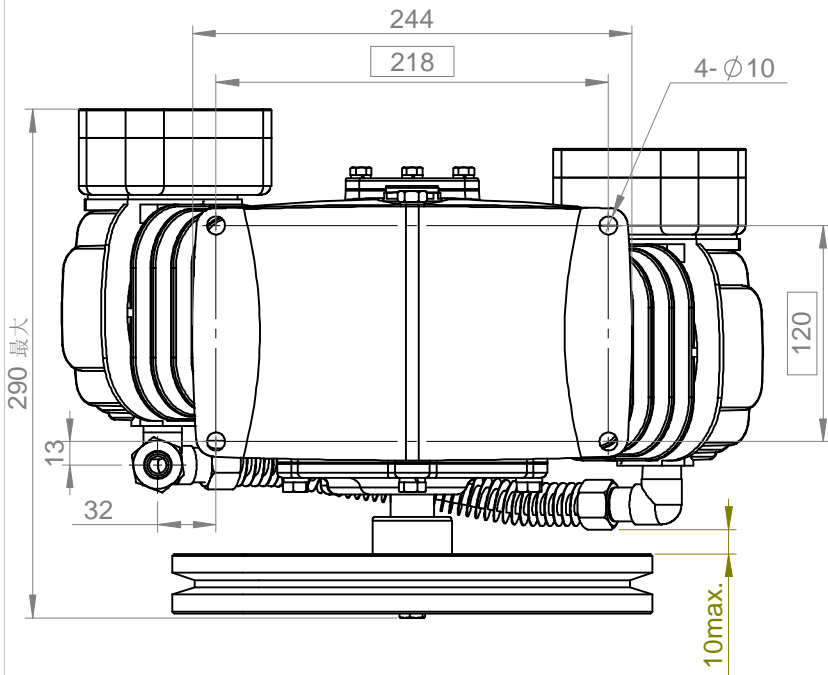
REVISIONS				
REV.	DESCRIPTION	DATE	APPROUVE	
A	Rod has been changed to a common model (with LB40)including oil splasher	15/10/07	Cyrl	
B	The valve plate set has been changed to a all round model	2008-4-1	BIAN Hongming	
-01		2009-1-23		



Item n°	Qty	Reference	Nom	Name	Description
1	1	21 111 009	Carter	Crankcase	LB30-2
2	1	21 169 001	Bouchon d'huile	Oil Draining Plug	ZG1/2"
3	8	11 141 001	Goujon	Stud	M8-35
4	1	21 113 003	Flasque Arrière	Bearing Seat	LB19 - LB30
5	1	21 161 004	Joint à Lévre	Oil Seal	Type AS, 24 x 47 x 8
6	1	21 152 001	Joint	Gasket	Bearing Seat, LB30, VALQUA 6500
7	4	11 131 004	Vis H	Screw H	M8-25, 8.8
8	20	11 123 003	Rondelle élastique	Spring Washer	W8
9	1	21 131 003	Vilebrequin	CrankShaft	LB19-LB30
10	1	21 134 001	Roulement à Billes	Ball Bearing	6205Z
11	2	21 132 013	Bielle	Rod	?14.5 - ?30 - 108
12	2	21 141 003	Piston	Piston	Ø65
13	2	21 143 002	Axe de Piston	Piston Pin	Ø14.5 - 57.5
14	4	21 144 002	Circlip Interieur	Inside circlip	14.7 x 1
15	2	21 145 003	Ensemble Segments	Piston Ring Set	Ø65
16	1	21 134 002	Roulement ?Billes	Ball Bearing	6304
17	1	21 155 001	Joint	Gasket	Bearing Cover LACME, VALQUA 6500
18	1	21 112 003	Flasque Avant	Bearing Cover	Triangle, 4mm, Aluminium
19	3	11 131 001	Vis H	Screw H	M6-20
20	3	11 123 002	Rondelle élastique	Spring Washer	W6
21	2	21 153 001	Joint	Gasket	Ø65, Bottom Cylinder, VALQUA 6500
22	2	21 121 004	Cylindre	Cylinder	Ø65, M8
23	8	11 111 002	Ecrou H	Nut H	M8, 8
24	2	21 123 003	Culasse	Cylinder Head	Ø65, M8, Aluminium
25	2	21 154 001	Joint	Gasket	Ø65, M8, Cylinder Head, VALQUA 6500
26	2	21 124 013	Ensemble Plaque Clapet	Valve Plate Set	Ø65, M8, All Round
27	8	11 132 006	Vis C HC	Screw C HC	M8-50, 8.8
28	2	21 151 002	Joint	Gasket	Ø65, M8, Top Cylinder, VALQUA 6500
29	1	21 173 001	Raccord coudé	Elbow Connector	ZG1/2"-3/4"UNF, 90°
30	1	21 174 001	Raccord 3 Voix	3 Ways Connector	ZG1/2"-2X3/4"UNF, 110°
31	1	21 171 002	Ensemble Radiateur	Cooler Set	Ø12 x 228 + 2 nuts (11 112 001)
32	1	21 212 013	Volant	Pulley	Ø266.7, A1, Aluminium
33	1	11 121 011	Rondelle	Washer	Ø8 - Ø38 - 5
34	1	11 124 001	Rondelle élastique	Spring Washer	W8, left
35	1	11 131 005	Vis H	Screw H	M8-40, 10.9, left
36	2	21 175 002	Ensemble Filtre à Air	Air Filter Set	LB30, With inside Foam (21 175 008)
37	4	11 132 004	Vis C HC	Screw C HC	M8-30, 6.8
38	4	11 122 001	Rondelle	Washer	Ø8, Copper
39	1	21 166 003	Reniflard	Oil Breath Pipe	G1/8"
40	1	21 164 004	Voyant de Niveau d'Huile	Oil Leveler	G7, With Flat Ring (21 159 006)
41	1	21 167 002	Bouchon de remplissage	Oil filling plug	M16x3, with Flat Ring (21 159 005)
42	1	11 113 001	Ecrou de Sortie	Exhaust Nut	3/4-16UNF/27 - Ø14.5 - l=17

LACME **LB30-2**

NAME	SIGNATURE	DATE	MATERIAL:	DWG NO.	Rev.
DRAWN	Cyrl	2005年12月26日 星期一 15:57:50		51 111 010	-.01 A1
CHKD		2006-1-1			
APPVD	csy	2009年1月23日 星期五 14:43:15		SCALE:1:1.92308	1/3

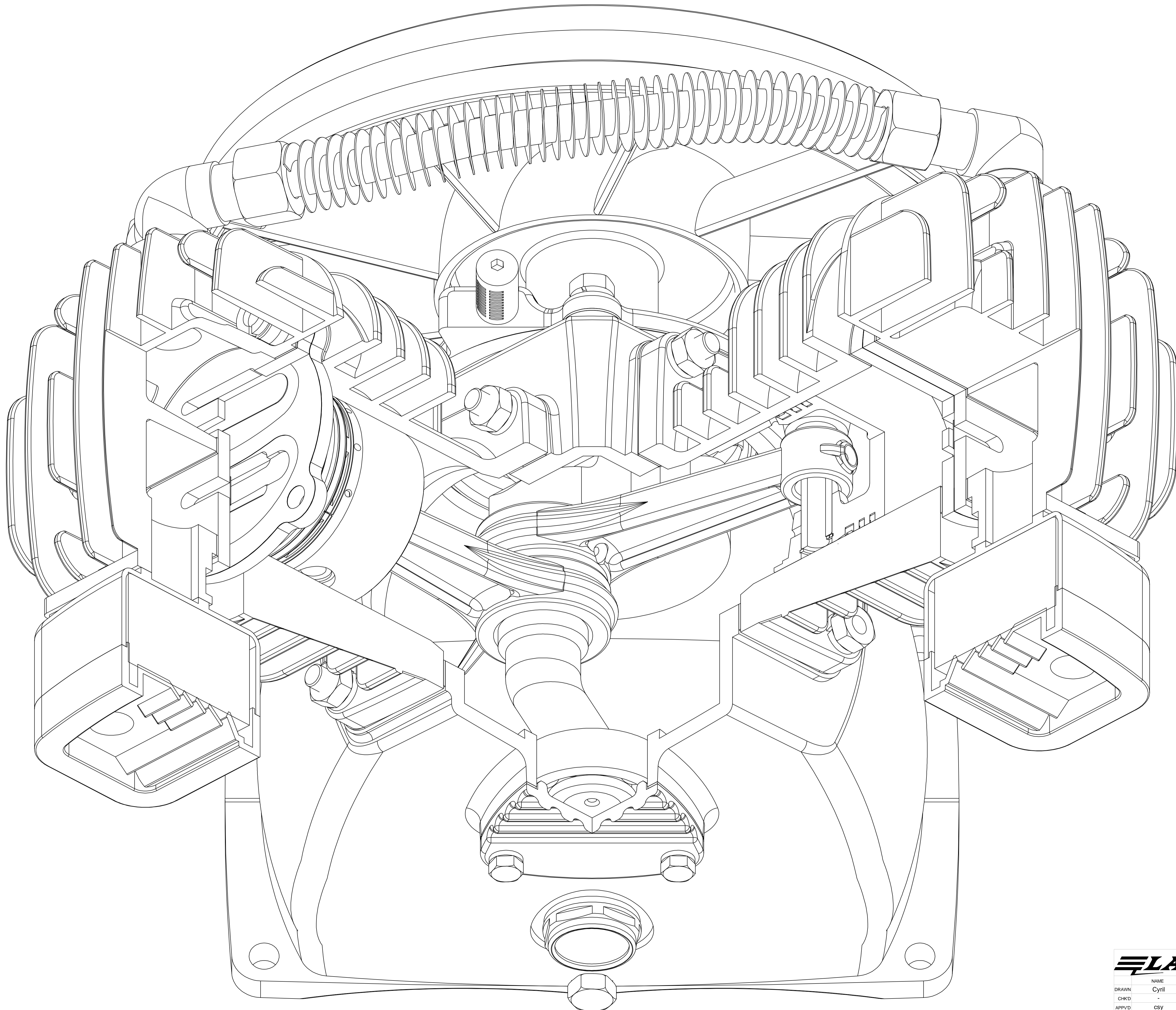


LACME

TITLE:

LB30-2

	NAME	SIGNATURE	DATE	MATERIAL:	DWG NO.	Rev.	
DRAWN	Cyrl		2005年12月26日 星期一 15:57:50		51 111 010	-.01 A4	
CHK'D	-		2006-1-1				
APPVD	csy		2009年1月23日 星期五 11:45:15	WEIGHT: 20.38g	SCALE:1:4.2		2/3



LACME				TITLE	
NAME	SIGNATURE	DATE	MATERIAL	DWG NO.	Rev.
DRAWN	Cyrl	2005年12月26日 星期一 15:57:50		51 111 010	-.01 A1
CHKD		2006-1-1			
APPVD	csy	2009年1月23日 星期五 11:43:15	17.45g	SCALE:1:0.588235	3/3